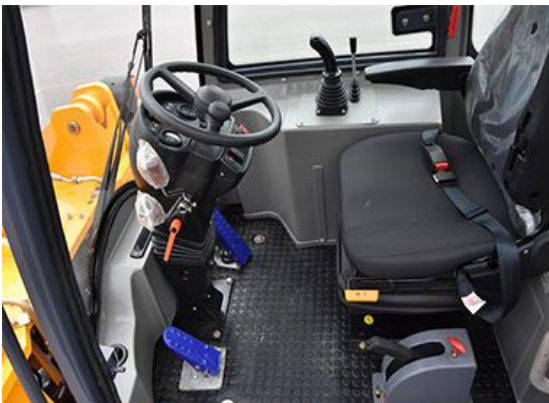


SHANDONG HAITUI HEAVY INDUSTRY MACHINERY CO., LTD

Contact:Terry Email:terry@haituichina.com Phone/Whatsapp:+86-15263772910

ZL928D 2ton Wheel Loader

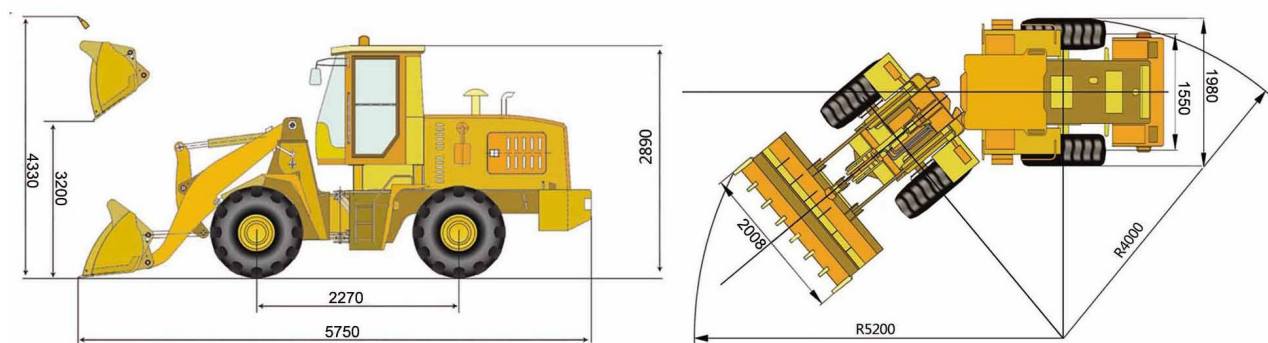


SHANDONG HAITUI HEAVY INDUSTRY MACHINERY CO., LTD

Contact:Terry

Email:terry@haituichina.com

Phone/Whatsapp:+86-15263772910



Main Specifications of ZL928D Wheel Loader

ITEM	ZL928D
Operating Weight (kg)	5050
Dimension L×W×H (mm)	5750×2008×2890 mm
Loading Capacity (kg)	2000
Bucket Capacity (m ³)	1.0
Tires	16/70-20
Engine	YunNei 38GBZ
Rated Power (KW)	76
Max Torque (N.m)	340
Max Speed (Km/h)	28
Wheel Base (mm)	2270
Max. Traction Force (KN)	75
Max. Breakout Force (KN)	76
Max Lifting Height (mm)	4330
Max Dumping Height (mm)	3200
Min Turning Radius (mm)	5200
Transmission	Hydraulic Torque Convertor
Gear Shift	F2+R2
Axle	Hub Reduction Axle
Brake System	Air over hydraulic oil brake on 4 wheels